

NO READING AMBIGUITY WITH L-PAGING

Page-Wide Graphic

An important procedure is described below.



To avoid serious injury, be sure to perform each step in the listed order. Do not skip steps.

-
1. Vivamus rutrum nisl in velit. Donec nunc.
 2. Pellentesque libero dolor, ornare non.
 3. Proin metus elit, lobortis et, venenatis sed.
 4. Proin hendrerit at tellus cursus pulvinar.
 5. Nam sit amet erat. Quisque porta rhoncus.
 6. Donec rhoncus tempor nisl. Nulla facilisi.
 7. In dui nibh, porttitor a, bibendum sed.
 8. Aenean rutrum justo non lacus. Nulla facilisi.
 9. Quisque imperdiet massa.
 10. Nullam mi nunc, dictum quis, eleifend eget.
 11. Aliquam porttitor, elit non convallis dignissim.
 12. Fusce ut nulla a ipsum viverra elementum.

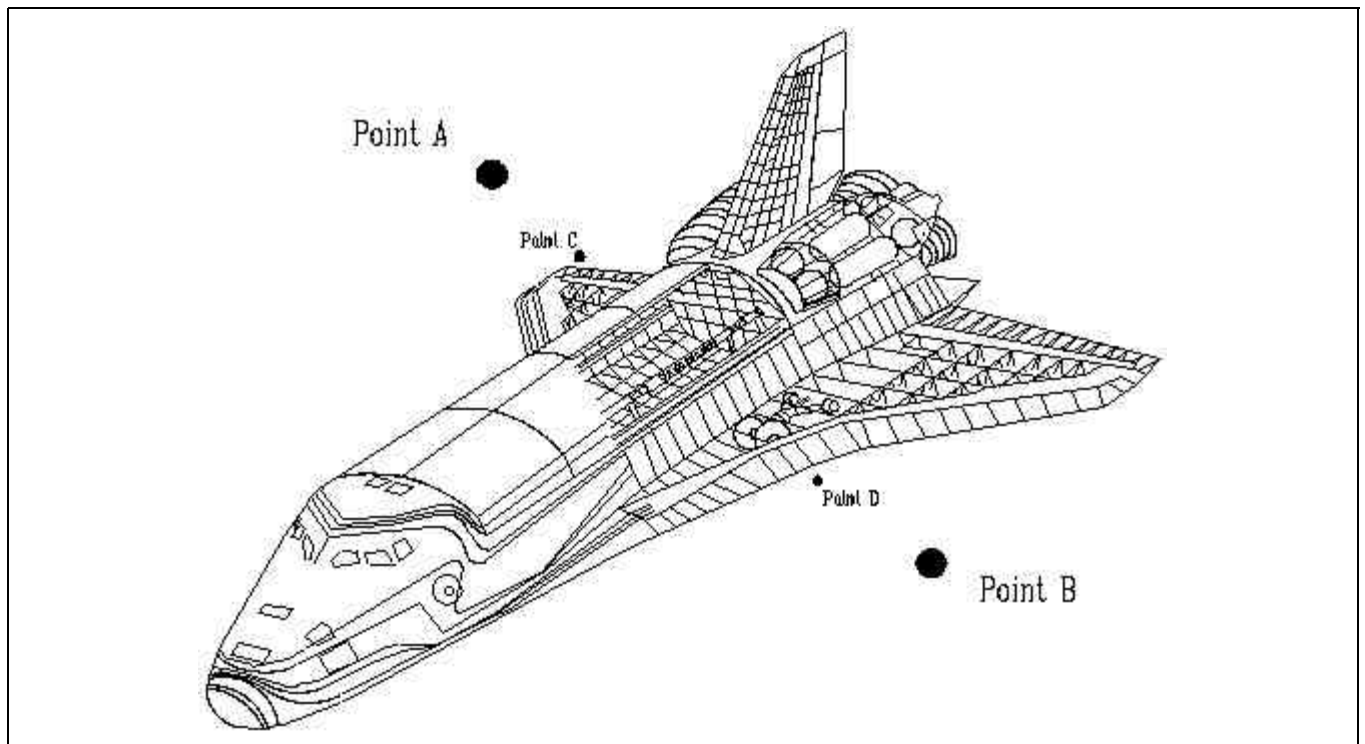


Figure 1. Page-wide figure creates ambiguous reading order with Z-Paging

1. Cras scelerisque interdum lorem.
2. Aenean tempor elementum
3. Saptent taciti sociosqu ad litora torquent per conubia nostra, per inceptos himenaeos.
4. suscipit dolor sed dui.
5. Tacilisis eget, mattis non

Duis non massa. In bibendum faucibus diam. Fusce tincidunt, urna nec ultrices egestas, nisl elit porta dui, sed placerat enim sem quis quam. Nam at magna. Curabitur suscipit dolor sed dui. Nulla fermentum scelerisque metus. Curabitur accumsan leo ac nisi.

Sed porta lacus vel metus. Quisque nulla quam, tincidunt id, vehicula nec, dignissim ac, nulla. Curabitur arcu.

Certain internet providers exploit the fact that , ll text cannot be recognized by automatic search engines - meaningful information cannot be distinguished from meaningless: Target-generated dummy text mixed with a certain combination of search terms can lead to an increased frequency of visits by search machine users. As a consequence, advertising revenues, which rely on website hits are increased.

Nullam dui suspendisse

Class aptent taciti sociosqu ad litora torquent per conubia nostra, per inceptos himenaeos. Nullam dui. Suspendisse euismod pulvinar purus. Vestibulum lectus. Nunc diam tortor, malesuada gravida, tristique tempor, pharetra a, augue. In hac habitasse platea dictumst.

Donec magna nunc, pulvinar in, molestie non, tristique consequat, dui. Curabitur vitae justo. Nunc hendrerit felis ut arcu. Duis commodo tincidunt lectus. Suspendisse potenti. In hac habitasse platea dictumst. Suspendisse massa.

Fusce vitae lorem

Proin mollis lorem ac justo. Etiam nec metus. Donec eu massa. Duis dui erat, eleifend sit amet, venenatis quis, tincidunt vel, eros. Suspendisse porta libero. In laoreet dui bibendum enim.

Mauris dolor orci, vestibulum at, facilisis eget, mattis non, eros. Sed felis massa, consectetur semper, ullamcorper non, tempus vitae, erat.

Nulla eu risus id nisl faucibus tempus. Donec pellentesque mattis enim. Fusce vitae lorem. Duis ligula neque, fermentum eu, dictum in, fringilla ut, quam. Sed scelerisque, tortor sed viverra dictum, enim libero fermentum ipsum, at tristique lectus tellus eget ante.

Aenean tempor elementum nunc. Nunc mollis, est facilisis sodales rhoncus, libero massa ornare lectus, at elementum elit justo in est.

Column-wide table

Aliquam vitae arcu fermentum sem congue pellentesque. In ut magna. Duis tempor suscipit tortor. Phasellus non lacus sed sem fermentum euismod. Sed nulla. Pellentesque a velit. Sed vel velit quis leo ultrices laoreet. Suspendisse pharetra est at neque. Phasellus scelerisque tempor orci. Suspendisse ante libero, tincidunt vel, rutrum quis, ornare sollicitudin, justo.

Table 2. Column-wide table

Column Head	Column Head
x	x
x	x
x	x
x	x
x	x
x	x
x	x
x	x

Sed fermentum

Suspendisse potenti. Praesent adipiscing, ante et blandit venenatis, ante tortor venenatis lorem, vel convallis nisl eros vel lectus. Aenean ornare pulvinar nisl. Cras scelerisque interdum lorem. Morbi risus.

Phasellus pharetra, ante ut lacinia tincidunt, ligula magna cursus turpis, nec adipiscing nisi justo ac purus. Maecenas aliquet. Pellentesque pellentesque, est vel sollicitudin mattis, turpis ipsum semper tellus, tristique tempus purus lacus eu massa. Sed fermentum magna eu ante. Morbi ac urna.

Nulla lobortis

Duis cursus suscipit eros. Curabitur molestie iaculis nulla. Maecenas nisi justo, tempus sed, imperdiet non, tincidunt sed, lacus. Sed scelerisque lobortis sapien. In hac habitasse platea dictumst. Cras aliquet, libero vitae pellentesque ultrices, dui velit gravida massa, ut cursus tortor erat vitae massa.

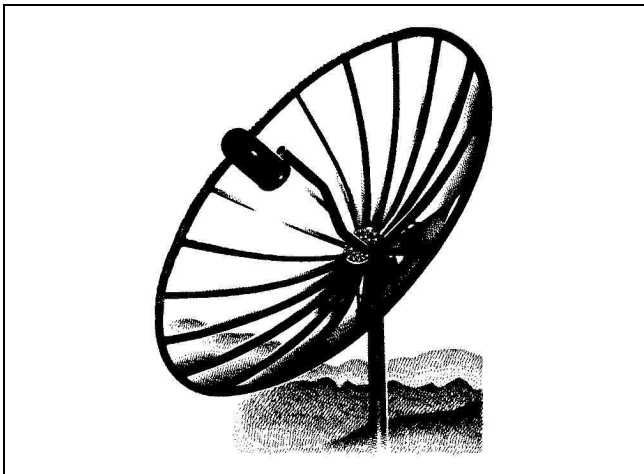


Figure 2. Column-wide graphic

Phasellus dapibus, tellus ac feugiat aliquam, urna nibh imperdiet purus, ut eleifend elit velit in eros. Donec in augue. Vestibulum nec tortor a enim volutpat mattis. Integer pellentesque dapibus dui. Phasellus vitae nisl.

Vestibulum erat massa, hendrerit id, suscipit et, accumsan id, tellus. Pellentesque rutrum. Sed erat diam, imperdiet sit amet, malesuada pretium, sodales nec, magna. Nulla lobortis iaculis metus.

Pellentesque enim. Quisque nec risus. Sed pulvinar nunc non urna. Nullam augue. Aliquam erat volutpat.

If the , ll text is intended to illustrate the characteristics of different typefaces, it sometimes makes sense to select texts containing the various letters and symbols speci, c to the output language.

There is now an abundance of readable dummy texts. These are usually used when a text is required purely to , ll a space. These alternatives to the classic Lorem Ipsum texts are often amusing and tell short, funny or nonsensical stories.

Origin and meaning

According to most sources, Lorum Ipsum can be traced back to a text composed by Cicero in 45 BC. Allegedly, a Latin scholar established the origin of the text by compiling all the instances of the unusual word φ onsecteturqhe could , nd and eventually recognized it as a passage from φ e , nibus bonorum et malorumq(On the extremes of Good and Evil) by Cicero, a book that was very popular in the Middle Ages: "Neque porro quisquam est, qui dolorem ipsum, quia dolor sit, amet, consectetur, adipisci velit."

Nor is there anyone who loves or pursues or desires to obtain pain of itself, because it is pain..."). A typical Lorem Ipsum text goes like this: "Lorem ipsum dolor sit amet, consectetur adipiscing elit, sed eiusmod tempor incididunt ut labore et dolore magna aliqua. Ut enim ad minim."

It seems th/at only fragments of the original text remain in the Lorem Ipsum texts used today. One may speculate that over the course of time certain letters were added or deleted at various positions within the text. This might also explain why one can now , nd slightly different versions. Due to the age of the Lorem Ipsum text there are no copyright issues to contend with.

In the 1960s, the text suddenly became known beyond the professional circle of typesetters and layout designers when it was used for Letraset sheets (adhesive letters on transparent , lm, popular until the 1980s) Versions of the text were subsequently included in DTP programmes such as PageMaker etc.

Automatic recognition

The spread of computers and layout programmes thus made dummy text better known. While in earlier times several lines of the Lorem Ipsum text were repeated in the creation of dummy texts, today the full text of Cicero's *De Officiis*, nibusq serves as the basis for many dummy text or Lorem Ipsum generators. Based on *De Officiis*, nibusq these generators automatically create longer sections of the Lorem Ipsum text or various other filler texts.

The phrasal sequence of the Lorem Ipsum text is now so widespread and commonplace that many DTP programmes can generate dummy text using the starting sequence "Lorem ipsum".

Fortunately, the phrase Lorem Ipsum is now recognized by electronic pre-press systems and, when found, an alarm can be raised. This avoids a publication going to print with overlooked dummy text.

READING AMBIGUITY WITH Z-PAGING

Page-Wide Graphic

An important procedure is described below.



To avoid serious injury, be sure to perform each step in the listed order. Do not skip steps.

1. Vivamus rutrum nisl in velit. Donec nunc.
2. Pellentesque libero dolor, ornare non.

3. Proin metus elit, lobortis et, venenatis sed.
4. Proin hendrerit at tellus cursus pulvinar.
5. Nam sit amet erat. Quisque porta rhoncus.
6. Donec rhoncus tempor nisl. Nulla facilisi.
7. In dui nibh, porttitor a, bibendum sed.
8. Aenean rutrum justo non lacus. Nulla facilisi.
9. Quisque imperdiet massa.
10. Nullam mi nunc, dictum quis, eleifend eget.
11. Aliquam porttitor, elit non convallis dignissim.
12. Fusce ut nulla a ipsum viverra elementum.

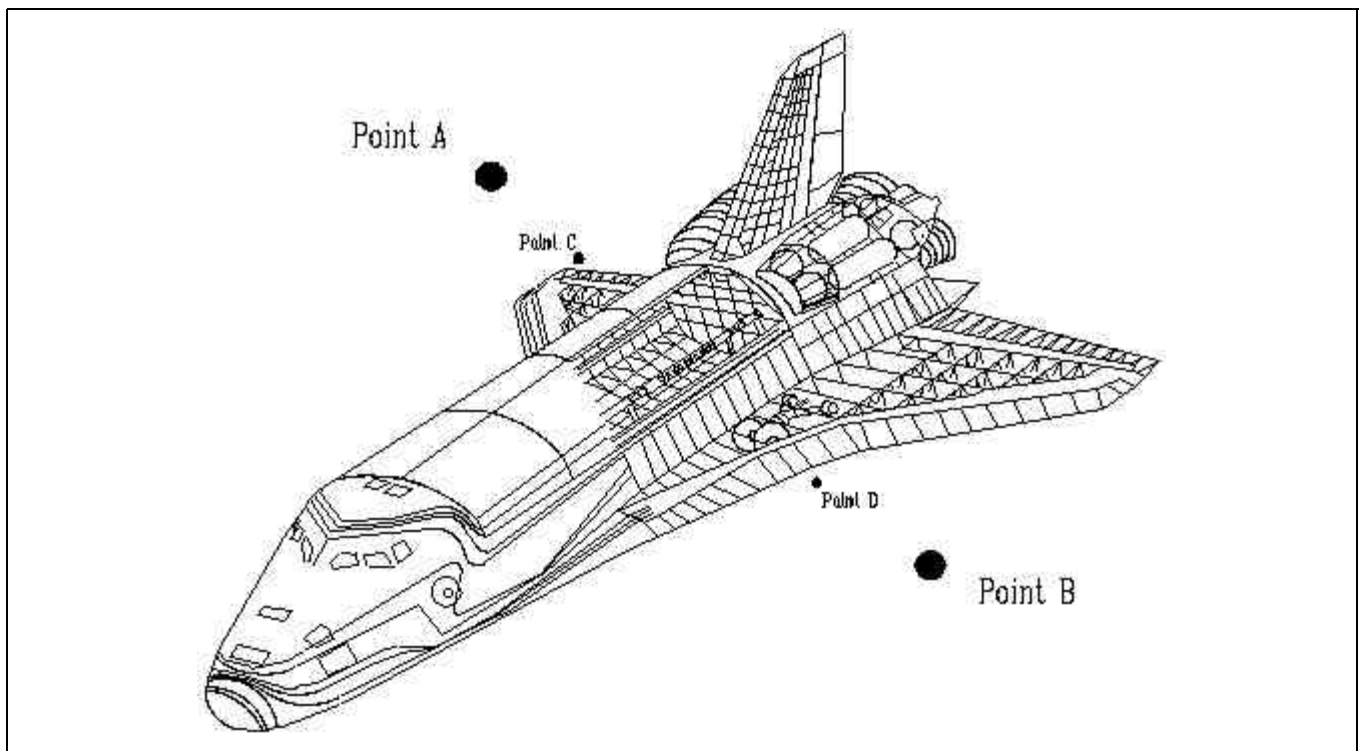


Figure 1. Page-wide figure creates ambiguous reading order with Z-Paging

13. Tristique ac, volutpat vel, urna, blandit sed.
14. Etiam vel tortor id massa luctus feugiat.
15. Duis ligula neque, fermentum eu, dictum in, fringilla ut, quam.
16. Sed erat diam, imperdiet sit amet, malesuada pretium, sodales nec, magna.
17. Sed pulvinar nunc non urna. Nullam augue. Aliquam erat volutpat.
18. Class aptent taciti sociosqu ad litora torquent per conubia nostra, per inceptos himenaeos.
19. Phasellus gravida ligula ut odio.
20. Volutpat a, elit.
21. Molestie non, metus. Aliquam erat volutpat.
22. Nunc diam suscipit sem, sed gravida erat orci ac velit. Donec pulvinar.
23. Duis ligula neque, fermentum eu, dictum in, fringilla ut, quam.
24. It amet posuere dolor erat posuere enim.
25. Dignissim ac, nulla.

26. Aliquam erat volutpat.
27. malesuada nisi sapien faucibus elit porta duiamet posuere dolor.
28. Tempus purus lacus eu massa auctor, dolor et lobortis dapibus.
29. Cras scelerisque interdum lorem.
30. In hac habitasse platea dictumst.

Curabitur

Curabitur malesuada nisi congue enim. Donec id justo eu risus porttitor feugiat. In auctor, dolor et lobortis dapibus, enim sapien faucibus dolor, sit amet posuere dolor erat posuere enim.

Table 1. Page-wide table

Column Head	Column Head
x	x
x	x
x	x
x	x
x	x
x	x

1. Cras scelerisque interdum lorem.
2. Aenean tempor elementum
3. Saptent taciti sociosqu ad litora torquent per conubia nostra, per inceptos himenaeos.
4. suscipit dolor sed dui.
5. Tacilisis eget, mattis non

Duis non massa. In bibendum faucibus diam. Fusce tincidunt, urna nec ultrices egestas, nisl elit porta dui, sed placerat enim sem quis quam. Nam at magna. Curabitur suscipit dolor sed dui. Nulla fermentum scelerisque metus. Curabitur accumsan leo ac nisi.

Sed porta lacus vel metus. Quisque nulla quam, tincidunt id, vehicula nec, dignissim ac, nulla. Curabitur arcu.

Certain internet providers exploit the fact that , ll text cannot be recognized by automatic search engines - meaningful information cannot be distinguished from meaningless: Target-generated dummy text mixed with a certain combination of search terms can lead to an increased frequency of visits by search machine users. As a consequence, advertising revenues, which rely on website hitsq are increased.

Nullam dui suspendisse

Class aptent taciti sociosqu ad litora torquent per conubia nostra, per inceptos himenaeos. Nullam dui. Suspendisse euismod pulvinar purus. Vestibulum lectus. Nunc diam tortor, malesuada gravida, tristique tempor, pharetra a, augue. In hac habitasse platea dictumst.

Donec magna nunc, pulvinar in, molestie non, tristique consequat, dui. Curabitur vitae justo. Nunc hendrerit felis ut arcu. Duis commodo tincidunt lectus. Suspendisse potenti. In hac habitasse platea dictumst. Suspendisse massa.

Fusce vitae lorem

Proin mollis lorem ac justo. Etiam nec metus. Donec eu massa. Duis dui erat, eleifend sit amet, venenatis quis, tincidunt vel, eros. Suspendisse porta libero. In laoreet dui bibendum enim.

Mauris dolor orci, vestibulum at, facilisis eget, mattis non, eros. Sed felis massa, consectetur semper, ullamcorper non, tempus vitae, erat.

Nulla eu risus id nisl faucibus tempus. Donec pellentesque mattis enim. Fusce vitae lorem. Duis ligula neque, fermentum eu, dictum in, fringilla ut, quam. Sed scelerisque, tortor sed viverra dictum, enim libero fermentum ipsum, at tristique lectus tellus eget ante.

Aenean tempor elementum nunc. Nunc mollis, est facilisis sodales rhoncus, libero massa ornare lectus, at elementum elit justo in est.

Column-wide table

Aliquam vitae arcu fermentum sem congue pellentesque. In ut magna. Duis tempor suscipit tortor. Phasellus non lacus sed sem fermentum euismod. Sed nulla. Pellentesque a velit. Sed vel velit quis leo ultrices laoreet. Suspendisse pharetra est at neque. Phasellus scelerisque tempor orci. Suspendisse ante libero, tincidunt vel, rutrum quis, ornare sollicitudin, justo.

Table 2. Column-wide table

Column Head	Column Head
x	x
x	x
x	x
x	x
x	x
x	x
x	x
x	x

Sed fermentum

Suspendisse potenti. Praesent adipiscing, ante et blandit venenatis, ante tortor venenatis lorem, vel convallis nisl eros vel lectus. Aenean ornare pulvinar nisl. Cras scelerisque interdum lorem. Morbi risus.

Phasellus pharetra, ante ut lacinia tincidunt, ligula magna cursus turpis, nec adipiscing nisi justo ac purus. Maecenas aliquet. Pellentesque pellentesque, est vel sollicitudin mattis, turpis ipsum semper tellus, tristique tempus purus lacus eu massa. Sed fermentum magna eu ante. Morbi ac urna.

Nulla lobortis

Duis cursus suscipit eros. Curabitur molestie iaculis nulla. Maecenas nisi justo, tempus sed, imperdiet non, tincidunt sed, lacus. Sed scelerisque lobortis sapien. In hac habitasse platea dictumst. Cras aliquet, libero vitae pellentesque ultrices, dui velit gravida massa, ut cursus tortor erat vitae massa.

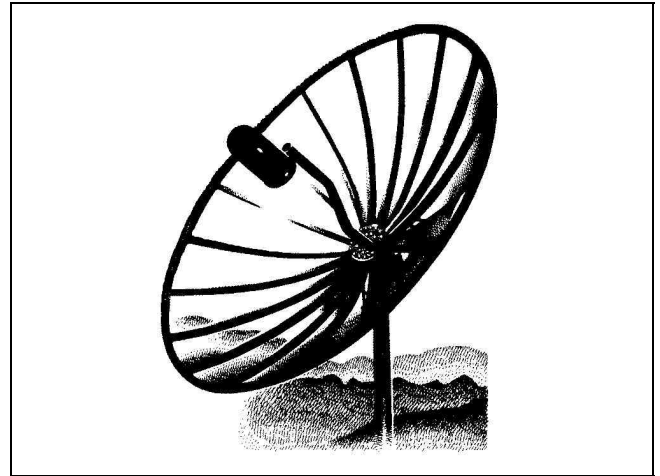


Figure 2. Column-wide graphic

Phasellus dapibus, tellus ac feugiat aliquam, urna nibh imperdiet purus, ut eleifend elit velit in eros. Donec in augue. Vestibulum nec tortor a enim volutpat mattis. Integer pellentesque dapibus dui. Phasellus vitae nisl.

Vestibulum erat massa, hendrerit id, suscipit et, accumsan id, tellus. Pellentesque rutrum. Sed erat diam, imperdiet sit amet, malesuada pretium, sodales nec, magna. Nulla lobortis iaculis metus.

Pellentesque enim. Quisque nec risus. Sed pulvinar nunc non urna. Nullam augue. Aliquam erat volutpat.

If the , ll text is intended to illustrate the characteristics of different typefaces, it sometimes makes sense to select texts containing the various letters and symbols speci, c to the output language.

There is now an abundance of readable dummy texts. These are usually used when a text is required purely to , ll a space. These alternatives to the classic Lorem Ipsum texts are often amusing and tell short, funny or nonsensical stories.

Origin and meaning

According to most sources, Lorem Ipsum can be traced back to a text composed by Cicero in 45 BC. Allegedly, a Latin scholar established the origin of the text by compiling all the instances of the unusual word *consectetur* and eventually recognized it as a passage from *De finibus bonorum et malorum* (On the extremes of Good and Evil) by Cicero, a book that was very popular in the Middle Ages: "Neque porro quisquam est, qui dolorem ipsum, quia dolor sit, amet, consectetur, adipisci velit."

Nor is there anyone who loves or pursues or desires to obtain pain of itself, because it is pain..."). A typical Lorem Ipsum text goes like this: "Lorem ipsum dolor sit amet, consectetur adipiscing elit, sed eiusmod tempor incididunt ut labore et dolore magna aliqua. Ut enim ad minim."

It seems that only fragments of the original text remain in the Lorem Ipsum texts used today. One may speculate that over the course of time certain letters were added or deleted at various positions within the text. This might also explain why one can now find slightly different versions. Due to the age of the Lorem Ipsum text there are no copyright issues to contend with.

In the 1960s, the text suddenly became known beyond the professional circle of typesetters and layout designers when it was used for Letraset sheets (adhesive letters on transparent film, popular until the 1980s). Versions of the text were subsequently included in DTP programmes such as PageMaker etc.

Automatic recognition

The spread of computers and layout programmes thus made dummy text better known. While in earlier times several lines of the Lorem Ipsum text were repeated in the creation of dummy texts, today the full text of Cicero's *De finibus bonorum et malorum* serves as the basis for many dummy text or Lorem Ipsum generators. Based on this text these generators automatically create longer sections of the Lorem Ipsum text or various other filler texts.

The phrasal sequence of the Lorem Ipsum text is now so widespread and commonplace that many DTP programmes can generate dummy text using the starting sequence "Lorem ipsum".

Fortunately, the phrase Lorem Ipsum is now recognized by electronic pre-press systems and, when found, an alarm can be raised. This avoids a publication going to print with overlooked dummy text.